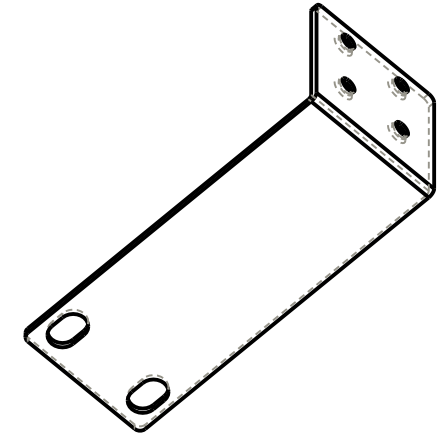
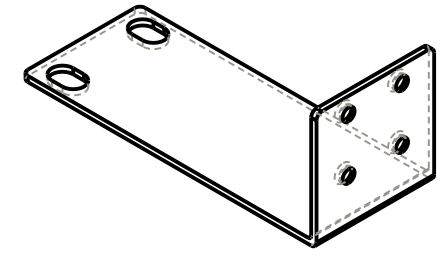
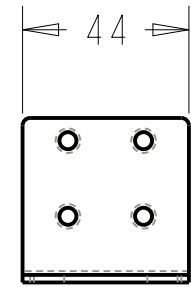
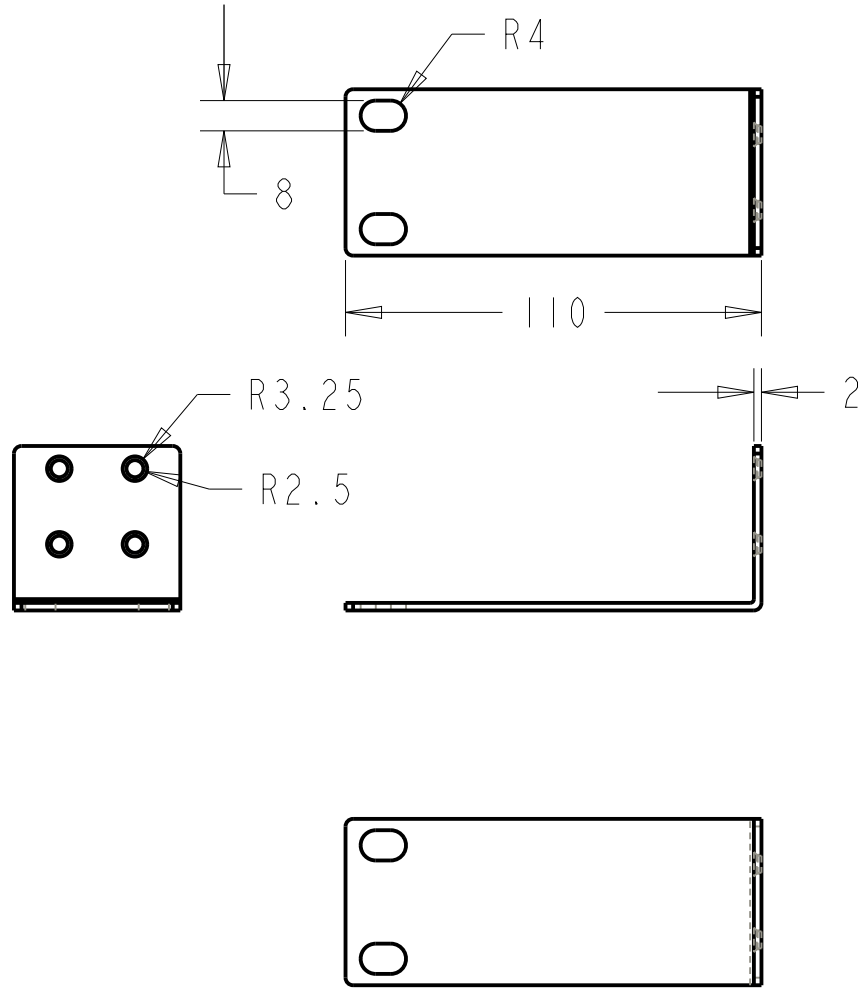


REVISIONS			
REV.	DESCRIPTION	ENGINEER	DATE



TOLERANCE ON:  
 LINEAR : X ±0.2  
           X.X ±0.15  
           X.XX ±0.1  
 ANGULAR: X ±1°  
           X.X ±0.5°

SCALE 1 : 1	UNIT mm	SIGNATURE	DATE	DRAWING NO.
		DRAW:		TITLE
		DESIGN:		
MATERIAL: SECC T=2.0 mm	SIZE A4 SHEET 10F	FINISH:		

