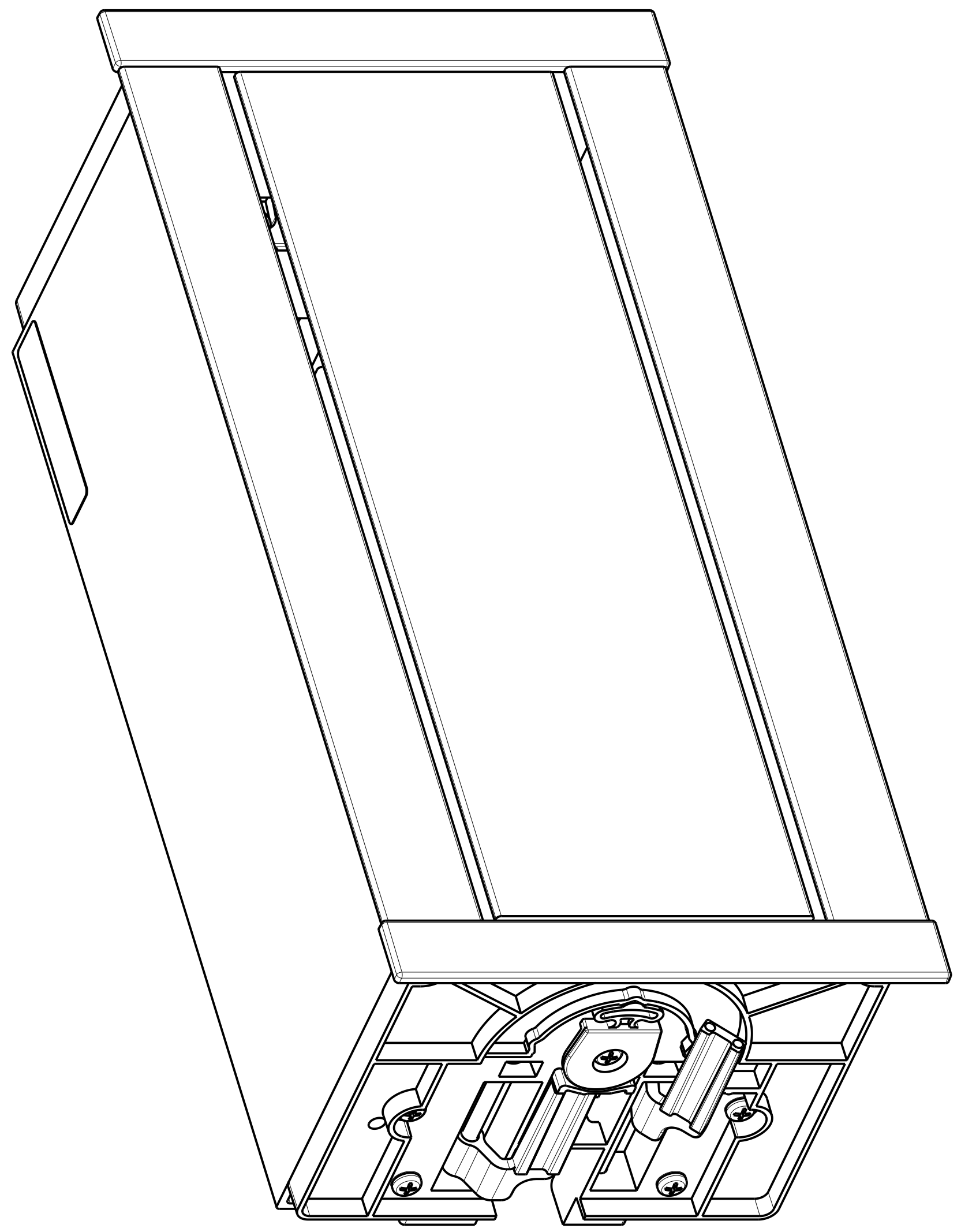
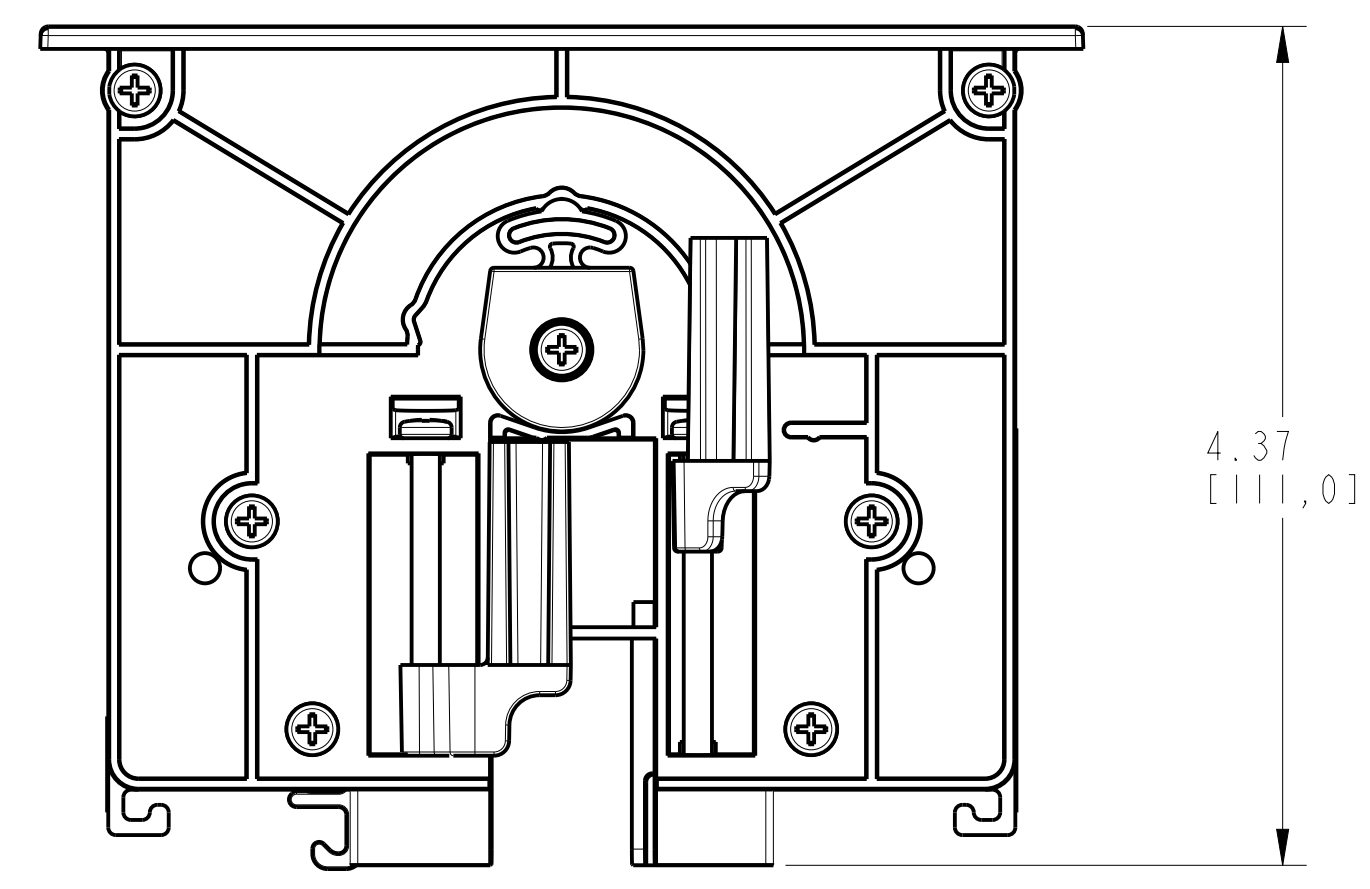
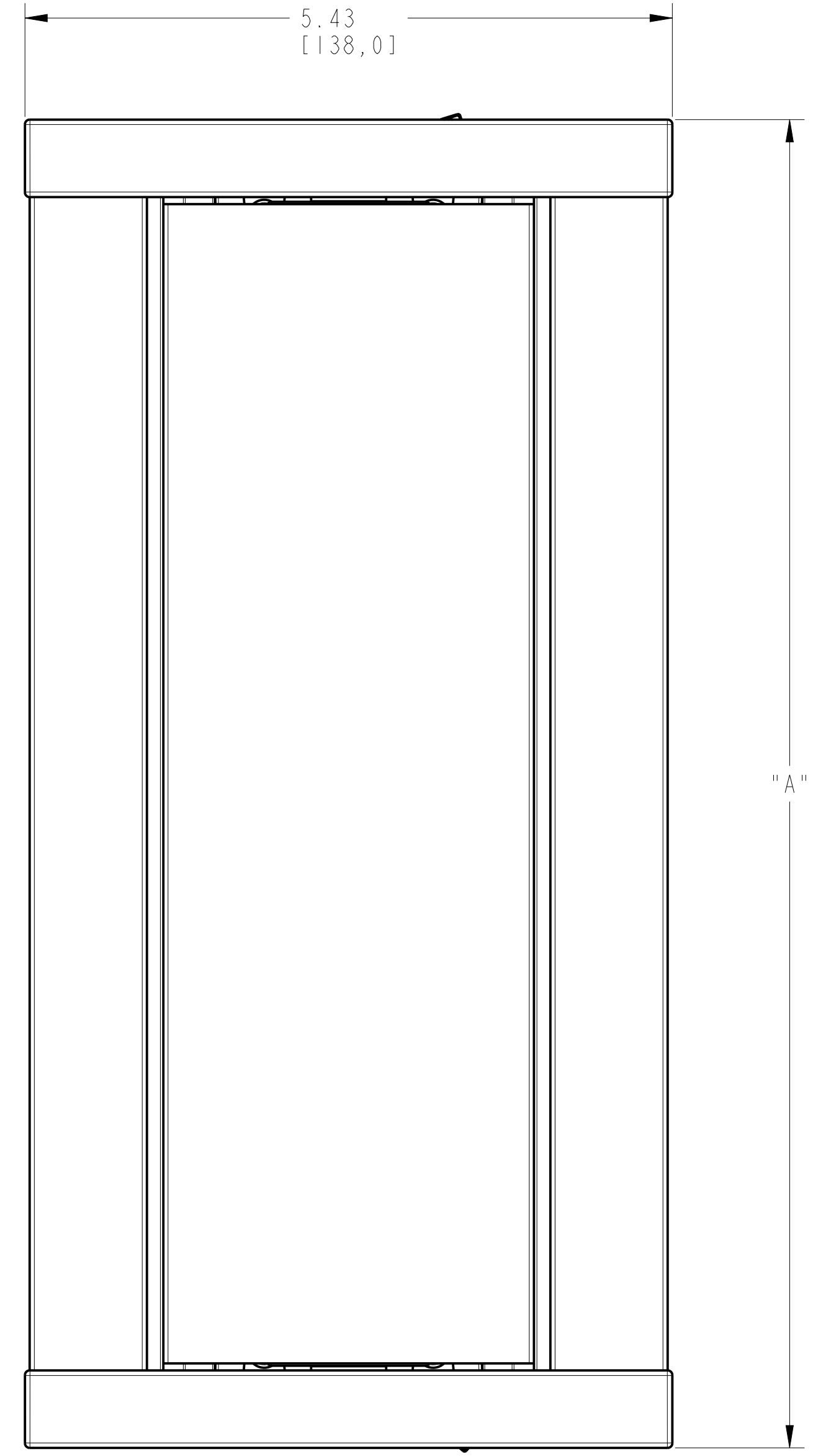
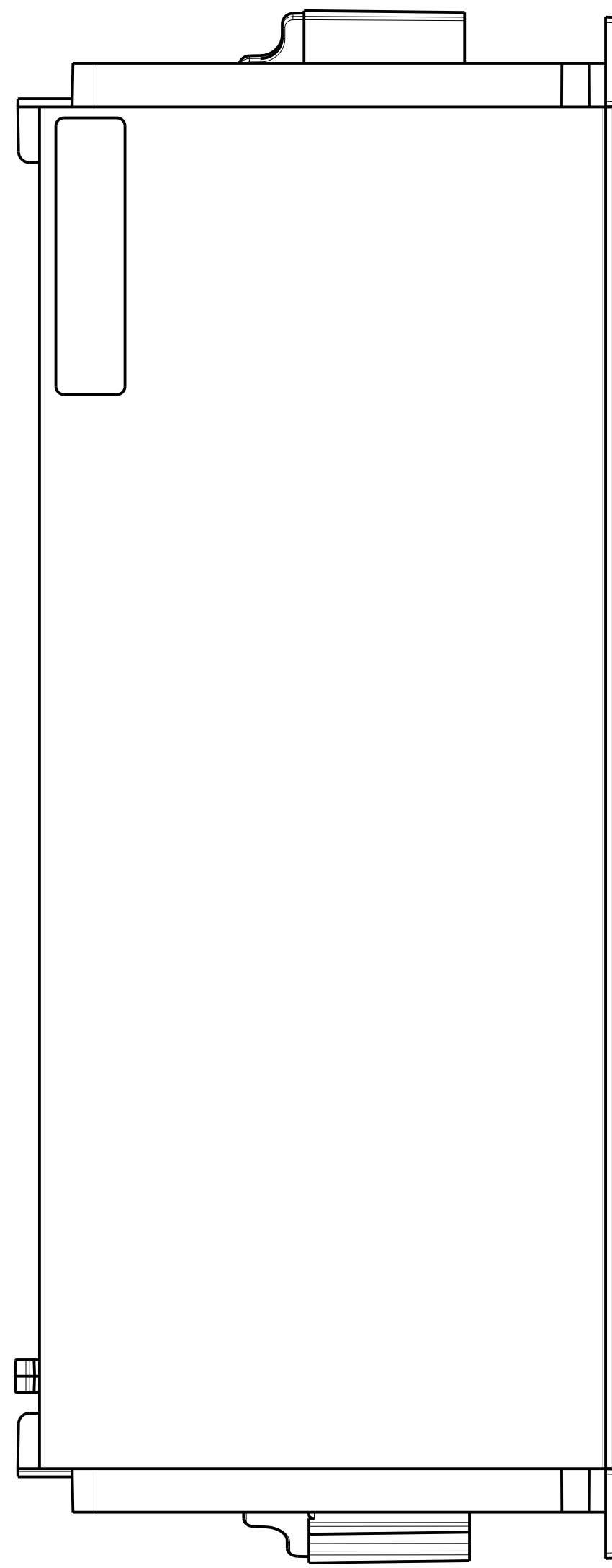


REVISIONS				
REV	ECN NUMBER	DESCRIPTION	DATE	APPROVED
A	18059	DOCUMENT RELEASE	18-May-11	X
B	18436	ADD -02 AND -03 CONFIGURATIONS	30-AUG-11	X
C	22917	CORRECT DEPTH DIMENSION	16-Oct-14	X

NOTES: UNLESS OTHERWISE SPECIFIED  
 1. DIMENSIONS IN [ ] ARE IN MILLIMETERS.



UNLESS OTHERWISE STATED, THE ARTICLE SPECIFIED SHALL BE RoHS COMPLIANT PER EU DIRECTIVE 2002/95/EC

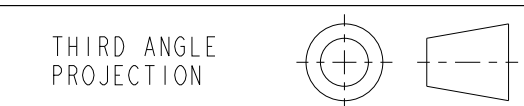
CONFIGURATION	MODEL NUMBER	NUMBER OF MODULES	"A"
560-03	HPX-1200	12M	14.09 [358.0]
560-02	HPX-900	9M	11.14 [283.0]
560-01	HPX-600	6M	8.19 [208.0]

NOTICE: This drawing is the property of AMX LLC. All information contained herein this is not generally known shall be confidential except to the extent the information had been previously established. This drawings may not be copied, reproduced, or used as the basis for manufacture or sale without written permission.

UNLESS OTHERWISE SPECIFIED  
 TOLERANCE ON DECIMAL DIMENSIONS: .X = ±0.1  
 .XX = ±0.02  
 .XXX = ±0.010  
 ANGLES: ±1.0°  
 SURFACE FLATNESS .003 TIR PER LINEAR INCH  
 ALL DIMENSIONS IN INCHES.  
 DO NOT SCALE DRAWING



PICTORIAL DRAWING, HYDRAPORT CHASSIS



SIZE D	DRAWING NUMBER 95-560-01	REV C
SCALE 1:1	SHEET 1 OF 1	